

Eastern Metal Supply

Sunshades: Extrusions and Pre-Fabricated Options



Sunshade Extrusions

- Airfoil Blades (see below) • Z Louver Blades
- Large inventory of Rect. Tube and Round Tube, and Rectangular Bar & Plate (as Outriggers & Mullions)
- Bullnoses: Half round, Full round

Pre-Fabricated Sunshades

- Airfoil Blades variety: choose from 2" to 12" (see below)
- Additional Blades: Z Louver Blades, Rect. Tube & Round Tube
- Bullnoses: Half round, Full round or Rect. Tube
- Outriggers: Rect. Bar, Rect. Tube or Plate with holes to accept or attach blades
- Mullions: Pre-Fabricated with pass through holes



<p>2-1/8" Air Foil x 16' 56-63-200</p>	<p>4" Air Foil x 24' 56-63-400 Wall: .080</p>	<p>6" Air Foil x 24' 56-63-600 Wall: .085/.100 52-63-1020 (MO) Wall: .085</p>	<p>7" Air Foil MILL ORDER 52-63-12534</p>
<p>8" Air Foil x 24' (2 screw bosses) 56-63-800 Wall: .110</p>	<p>8" Air Foil x 24' (4 screw bosses) MILL ORDER 053244 (TX) Wall: .100</p>	<p>10" Air Foil MILL ORDER 56-63-1000 Wall: .125</p>	<p>12" Air Foil Wall: .188 MILL ORDER 52-63-11852</p>
<p>2" Hollow Blade x 16' 80-MF-013 Mill Finish uses #14 screw</p>	<p>2" Hollow Blade x 16' 41-63-830 Mill Finish</p>	<p>2" Blade x 16' 41-63-835 Mill Finish</p>	<p>2" Solid Blade x 20' 52-63-4696 Mill Finish 52-63-3060 White</p>



Eastern Metal Supply www.easternmetal.com • info@easternmetal.com

FL: 800-432-2204 • NC: 800-343-8154 • TX: 800-996-6061 • MO: 888-822-6061 v09/18

Pre-Fabricated Sunshade Systems: Ready-to-Weld or Mechanically Join

Available mitered or square cut with pre-punched holes.

Rectangular Tube or Bar Frames and Air Foil Blades from 2" to 12"

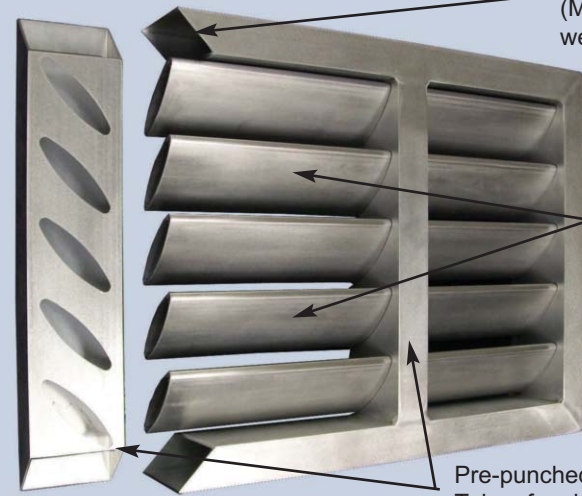
Fast Assembly • Increased Strength • Minimal Welding for a Clean Look • Fewer Parts, Less Inventory

Rectangular Tube Welded Frame

Rect. Tube Frames
(Mitered for welding)

Air Foil Louver Blades

Pre-punched Rect. Tubes for side frames & center mullion



Large Inventory Available:

- Aluminum Rectangular Tubing
- Aluminum Rectangular Bar for Frames, Outriggers & Mullions

Half & Full Round Bull Noses

<p>2" Full Round Bull Nose MILL ORDER <u>052295</u></p> <p>2.000</p>	<p>3" Full Round Bull Nose x 24' 56-63-201 Wall: .083</p> <p>3.000</p>
<p>4" Full Round Bull Nose x 24' 56-63-204 Wall: .093</p> <p>4.000</p>	<p>Sloped Sunshade Bullnose x 24' MILL ORDER <u>52-61-4733</u> Wall: .125</p> <p>8.000 4.020</p>
<p>4" Half Round Bull Nose x 24' 56-63-202 Wall: .083</p> <p>4.000 2.000</p>	<p>6" Half Round Bull Nose x 24' 56-63-205 Wall: .100</p> <p>6.000 3.000</p>

Flat Bar Mechanical System

Rectangular Bar Outriggers
(Tapered and Pre-drilled to accommodate screw bosses in air foil blades)

Rectangular Bar Center Mullion
(Pre-Punched and Tapered)

Air Foil Louver Blades

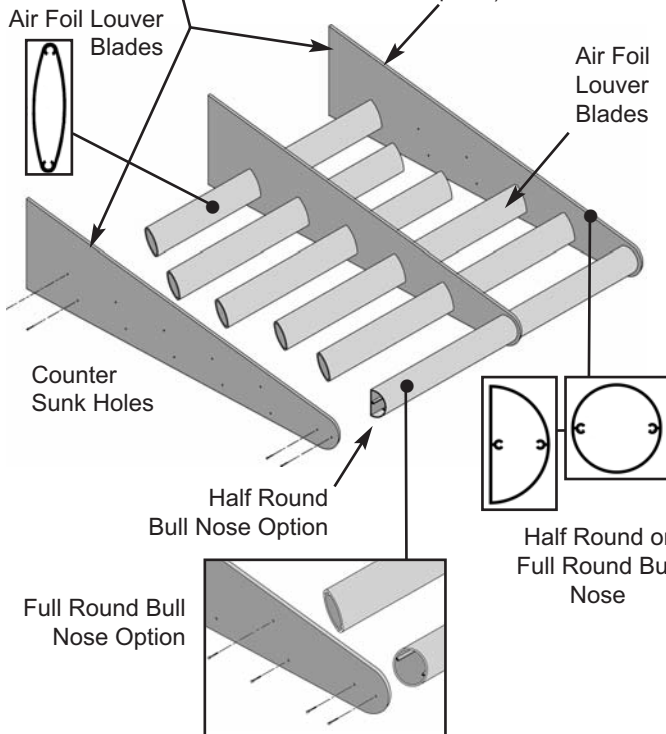
Air Foil Louver Blades

Counter Sunk Holes

Half Round Bull Nose Option

Full Round Bull Nose Option

Half Round or Full Round Bull Nose



ENGINEERING AVAILABLE: www.easternmetalingeering.com
Florida items are available to all branches via shuttle.



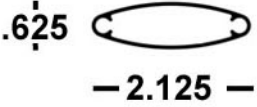
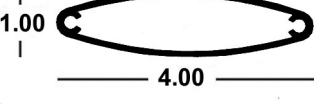

Eastern Metal Supply www.easternmetal.com • info@easternmetal.com


FL: 800-432-2204 • NC: 800-343-8154 • TX: 800-996-6061 • MO: 888-822-6061 v09/18


Sunshade System / Air Foil

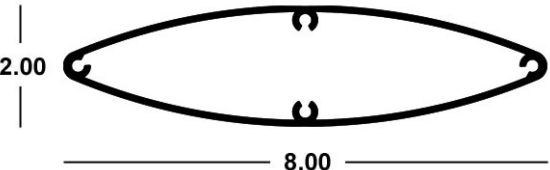
ENGINEERING AVAILABLE: www.easternmetalingeering.com

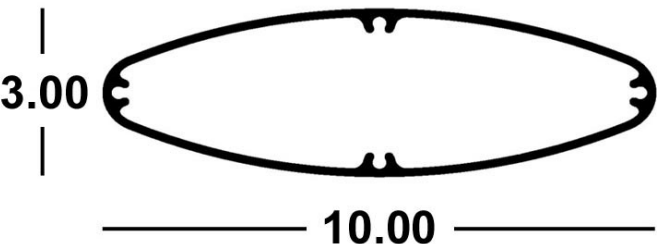
Florida items are available to all branches via shuttle.

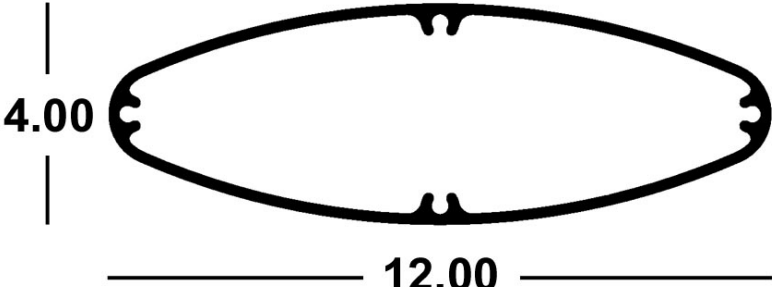
<p>2-1/8" Air Foil x 16' 56-63-200</p> 	<p>4" Air Foil x 24' 56-63-400</p> <p>Wall: .080</p> 	<p>6" Air Foil x 24' 56-63-600 Wall: .085/.100 52-63-1020 (MO) Wall: .085</p> 
---	---	--

<p>7" Air Foil MILL ORDER <u>52-63-12534</u></p> 

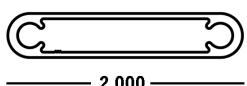
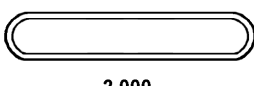
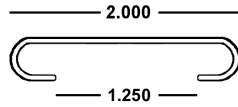
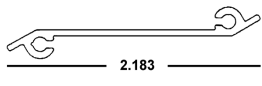
<p>8" Air Foil x 24' (2 screw bosses) 56-63-800</p> <p>Wall: .110</p> 

<p>8" Air Foil x 24' (4 screw bosses) MILL ORDER <u>011494 (FL)</u> Wall: .100 MILL ORDER <u>FH03082 (TX)</u> - 8 screw boss version</p> 

<p>10" Air Foil MILL ORDER <u>56-63-1000</u> Wall: .125</p> 

<p>12" Air Foil MILL ORDER <u>52-63-11852</u> Wall: .188</p> 	<p>Scan QR Code to view Architectural section online:</p>
--	---



<p>2" Hollow Blade x 16' 80-MF-013 Mill Finish uses #14 screw</p> 	<p>2" Hollow Blade x 16' 41-63-830 Mill Finish</p> 	<p>2" Blade x 16' 41-63-835 Mill Finish</p> 	<p>2" Solid Blade x 20' 52-63-4696 Mill Finish <u>52-63-3060</u> White</p> 
---	--	--	---

Architectural 01



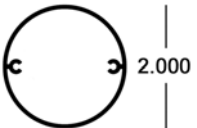
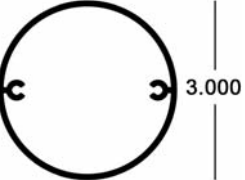
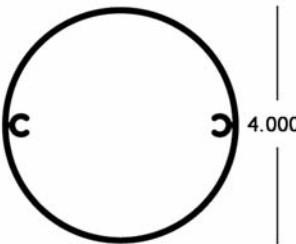
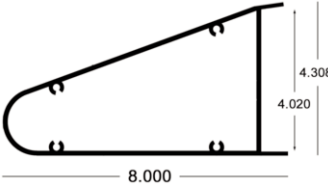
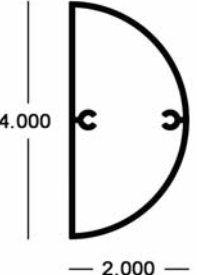
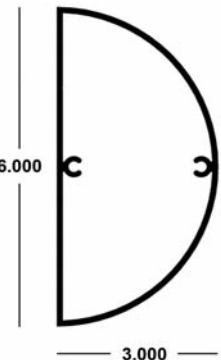
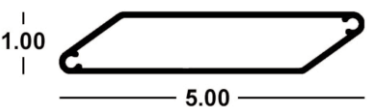
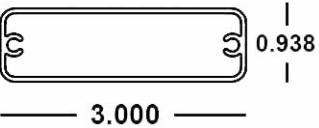
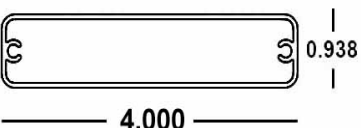
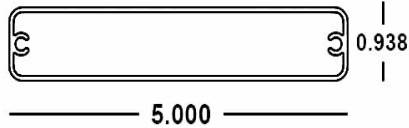
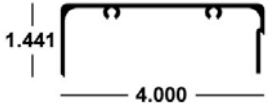
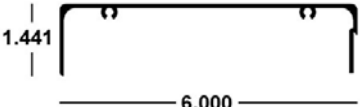
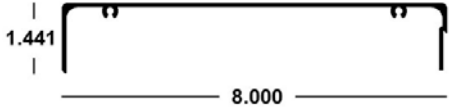
<p>EMS FL 1-800-432-2204 (561) 588-4780 - fax</p>	<p>EMS NC 1-800-343-8154 (704) 391-2267 - fax</p>	<p>EMS TX 1-800-996-6061 (281) 656-2297 - fax</p>	<p>EMS MO 1-888-822-6061 (314) 344-3349 - fax</p>
--	--	--	--

Eastern Metal Supply Additional Locations: West Palm Beach & Lakeland, FL; Newark, DE; Akron, OH, Van Buren, AR; Atlanta, GA and Dallas, TX

Quality Shapes In Aluminum [website: www.EasternMetal.com](http://www.EasternMetal.com) [e-mail: info@EasternMetal.com](mailto:info@EasternMetal.com) [version: 01/22/19](#)

Sunshade System / Air Foil

ENGINEERING AVAILABLE UPON REQUEST
 Florida items are available to all branches via shuttle.

<p>2" Full Round Bull Nose MILL ORDER 052295</p> 	<p>3" Full Round Bull Nose x 24' 56-63-201 Wall: .083</p> 	<p>4" Full Round Bull Nose x 24' 56-63-204 Wall: .093</p> 	<p>Sloped Sunshade Bullnose x 24' MILL ORDER 52-61-4733 Wall: .125</p> 
<p>4" Half Round Bull Nose x 24' 56-63-202 Wall: .083</p> 	<p>6" Half Round Bull Nose x 24' 56-63-205 Wall: .100</p> 	<p>5" Shadow Box x 24' 56-63-905 6063 T6 M/F Wall: .080</p> 	
<p>3" Radius Tube x 24' 40-63-722 6063 T6 M/F (for louvers)</p> 	<p>4" Radius Tube x 24' 40-63-724 6063 T6 M/F (for louvers)</p> 	<p>5" Radius Tube x 24' 40-63-723 6063 T6 M/F (for louvers)</p> 	
<p>4" Self-Mating Channel MILL ORDER 52-63-420 (TX) Wall: .080 Measures out to 2" x 4" when mated</p> 	<p>6" Self-Mating Channel MILL ORDER 52-63-622 (TX) Wall: .080 Measures out to 2" x 6" when mated</p> 	<p>8" Self-Mating Channel MILL ORDER 52-63-11390 Wall: .080 Measures out to 2" x 8" when mated</p> 	

Pre-Fabricated framing items are also available. Ask your sales representative for more information.

Architectural 02



Eastern Metal Supply
 Quality Shapes In Aluminum

EMS FL

1-800-432-2204
 (561) 588-4780 - fax

EMS NC

1-800-343-8154
 (704) 391-2267 - fax

EMS TX

1-800-996-6061
 (281) 656-2297 - fax

EMS MO

1-888-822-6061
 (314) 344-3349 - fax

Additional Locations: West Palm Beach & Lakeland, FL; Newark, DE and Birmingham, AL

website: www.EasternMetal.com

e-mail: info@EasternMetal.com

version: 08/08/16