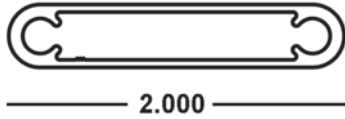


# NON-IMPACT BAHAMA/COLONIAL SYSTEM

For Hinges & Components see Hurricane p55 (next page)

## BAHAMA/COLONIAL HOLLOW BLADE x 16'

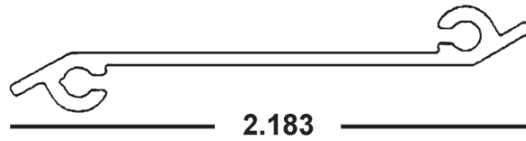
80-MF-011 M/F (#8 screw)  
80-WH-011 White (#8 screw)  
Mates with Punched Frame and Cap



NON  
ASSA  
PRODUCT

## BAHAMA/COLONIAL SOLID BLADE x 20'

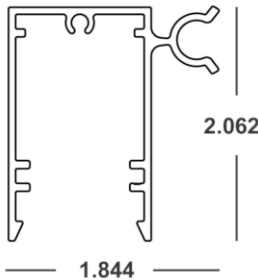
52-63-4696 M/F 20 pcs  
52-63-3060 White 24 pcs  
Mates with Punched Frame and Cap



NON  
ASSA  
PRODUCT

## MALE BAHAMA FRAME (with Hinge) x 20'

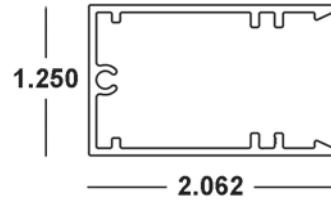
52-63-8535 M/F



NON  
ASSA  
PRODUCT

## BAHAMA/COLONIAL FRAME x 20'

52-63-4694 M/F 8 pcs  
80-WH-012 White 6 pcs

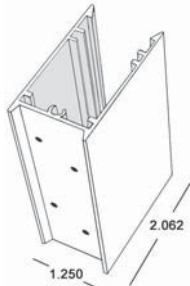


NON  
ASSA  
PRODUCT

Copyright 2007-2014 Eastern Metal Supply, Inc. HVTM, BERTHA HV®, BERTHA®, DACROSHIELD® are all trademarks of Eastern Metal Supply, Inc. ASSA® is a trademark of the American Shutter Systems Association. All rights reserved.

## BAHAMA/COLONIAL CENTER MULLION x 20' (Punched\*)

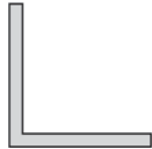
52-63-4695P M/F 6 pcs  
52-63-4695 M/F (Unpunched) 6 pcs



NON  
ASSA  
PRODUCT

## 2" X .093" ARCHITECTURAL ANGLE x 24' 3" (Corner Key)

52-63-5805A M/F



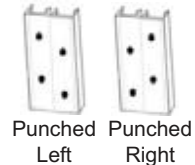
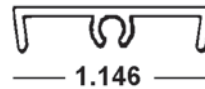
For Storm Protection Shutter to be backed with .050 sheet

NON  
ASSA  
PRODUCT

## BAHAMA/COLONIAL FRAME CAP x 20' (Punched & Unpunched)

punched\* (left) 20 pcs (mates with Frame)  
52-63-4698L M/F  
punched\* (right) 20 pcs (mates with Mullion & Frame)  
52-63-4698R M/F  
unpunched 16 pcs (mates with Frame)  
52-63-4698 M/F

NON  
ASSA  
PRODUCT

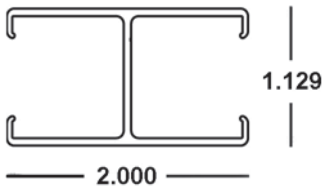


# RATED NON-IMPACT DECORATIVE SHADE AWNING

For Hinges & Components see Hurricane p55 (next page)

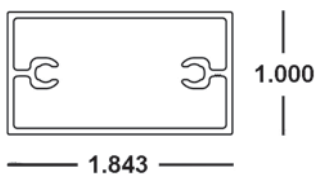
## H-Mullion x 26' 9"

52-63-1706 6063-T6 Mill Finish



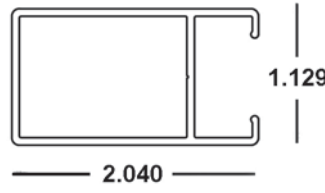
## Horizontal Tube x 26' 9"

52-63-058 6063-T6 Mill Finish



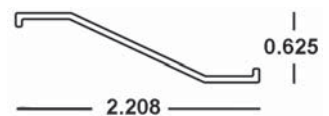
## Shutter Jamb x 26' 9"

52-63-059 6063-T6 Mill Finish



## Louver Blade x 12' 2"

52-63-060 6063-T6 Mill Finish



\* Blade slides into punched .050 sheet and inserts into Shutter Jamb slot.

Hurricane 54



**Eastern Metal Supply**  
Quality Shapes In Aluminum

### EMS FL

1-800-432-2204  
(561) 588-4780 - fax

### EMS NC

1-800-343-8154  
(704) 391-2267 - fax

### EMS TX

1-800-996-6061  
(281) 656-2297 - fax

### EMS MO

1-888-822-6061  
(314) 344-3349 - fax

Additional Locations: West Palm Beach & Lakeland, FL; Newark, DE and Birmingham, AL

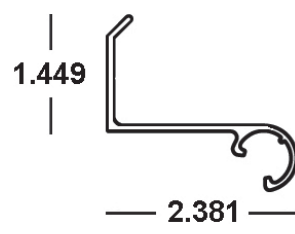
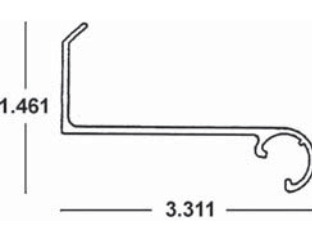
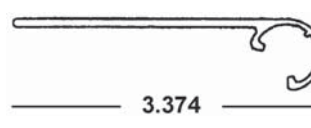
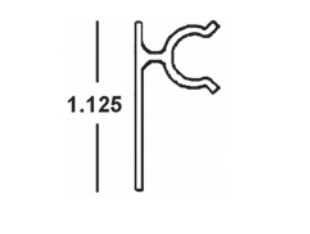
website: [www.EasternMetal.com](http://www.EasternMetal.com)

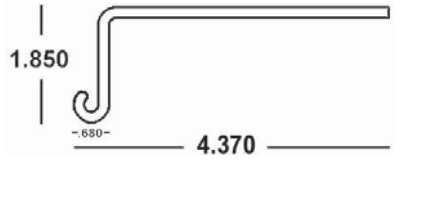
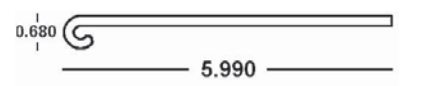
e-mail: [info@EasternMetal.com](mailto:info@EasternMetal.com)



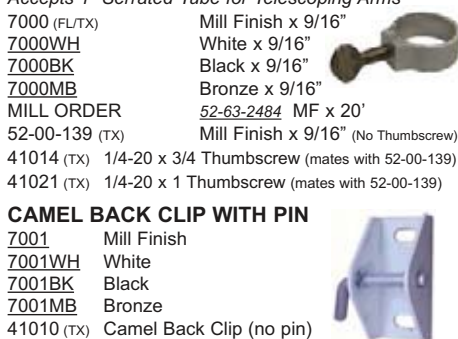
version: 08/18/16


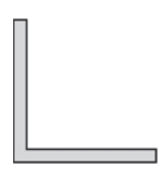
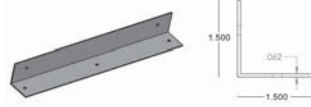

# BAHAMA/COLONIAL HINGES & COMPONENTS

Used in a variety of Bahama/Colonial Systems

|   |  |   |  |
|---|--|---|--|
| <p><b>Bahama Female Hinge x 20'</b><br/>41-63-803<br/>Mill Finish 6 pcs</p>  | <p><b>1" Build-Out Bahama Female Hinge x 20'</b><br/>41-63-804<br/>Mill Finish 6 pcs</p>  | <p><b>Bahama Female Flat Hinge x 20'</b><br/>41-63-805<br/>Mill Finish 6 pcs</p>  | <p><b>Bahama Male Hinge x 20'</b><br/>41-63-814<br/>Mill Finish 16 pcs</p>  |
|---|--|---|--|

|   |  |  |
|---|--|--|
| <p><b>Colonial Single Hinge x 12'</b><br/>Mill Finish 6 pcs<br/>41-63-816 <i>Wall Mount</i><br/>Mates with 41-63-824N</p>  | <p><b>Colonial Double Hinge x 12'</b><br/>Mill Finish 4 pcs<br/>41-63-813 <i>Wall Mount</i><br/>Mates with 41-63-824N</p>  | <p><b>Colonial Flat Hinge x 12'</b><br/>41-63-811 <i>Wall Mount</i><br/>Mill Finish 6 pcs; Mates with 41-63-824N</p>  <p><b>Colonial Flat Hinge x 12'</b><br/>41-63-824N <i>Shutter Mount</i><br/>Mill Finish 6 pcs; Mates with 41-63-816, 41-63-813, 41-63-811, 41-63-824N</p>  |
|---|--|--|

|   |  |        |                |           |                |           |                |            |                      |        |                |           |                |           |                |            |                      |        |                |           |                        |           |                |            |  |              |        |                |           |                |           |                |            |              |        |                |           |                |           |                |            |  |                     |                     |               |               |               |               |               |                |                   |                     |                       |                                     |                   |  |                   |  |             |             |               |       |               |       |               |        |                   |                          |                   |                |
|---|--|--------|----------------|-----------|----------------|-----------|----------------|------------|----------------------|--------|----------------|-----------|----------------|-----------|----------------|------------|----------------------|--------|----------------|-----------|------------------------|-----------|----------------|------------|--|--------------|--------|----------------|-----------|----------------|-----------|----------------|------------|--------------|--------|----------------|-----------|----------------|-----------|----------------|------------|--|---------------------|---------------------|---------------|---------------|---------------|---------------|---------------|----------------|-------------------|---------------------|-----------------------|-------------------------------------|-------------------|--|-------------------|--|-------------|-------------|---------------|-------|---------------|-------|---------------|--------|-------------------|--------------------------|-------------------|----------------|
| <p><b>HV™ Bahama Telescoping Arm Kit</b><br/>Kit includes Slip Collar, Camel Back, Cap and U-Clip. Lengths shown are maximum length of telescoping tubes.</p> <table border="0"> <tr><td><u>7002K</u></td><td>12" MF</td></tr> <tr><td><u>7002KWH</u></td><td>12" White</td></tr> <tr><td><u>7002KBK</u></td><td>12" Black</td></tr> <tr><td><u>7002KMB</u></td><td>12" Bronze</td></tr> <tr><td><u>7003K (FL/TX)</u></td><td>18" MF</td></tr> <tr><td><u>7003KWH</u></td><td>18" White</td></tr> <tr><td><u>7003KBK</u></td><td>18" Black</td></tr> <tr><td><u>7003KMB</u></td><td>18" Bronze</td></tr> <tr><td><u>7004K (FL/TX)</u></td><td>24" MF</td></tr> <tr><td><u>7004KWH</u></td><td>24" White</td></tr> <tr><td><u>7004KBK (FL/TX)</u></td><td>24" Black</td></tr> <tr><td><u>7004KMB</u></td><td>24" Bronze</td></tr> </table>  | <u>7002K</u>                                   | 12" MF | <u>7002KWH</u> | 12" White | <u>7002KBK</u> | 12" Black | <u>7002KMB</u> | 12" Bronze | <u>7003K (FL/TX)</u> | 18" MF | <u>7003KWH</u> | 18" White | <u>7003KBK</u> | 18" Black | <u>7003KMB</u> | 18" Bronze | <u>7004K (FL/TX)</u> | 24" MF | <u>7004KWH</u> | 24" White | <u>7004KBK (FL/TX)</u> | 24" Black | <u>7004KMB</u> | 24" Bronze | <p><b>HV™ Bahama Telescoping Arm Kit</b><br/>Kit includes Slip Collar, Camel Back, Cap and U-Clip. Lengths shown are maximum length of telescoping tubes.</p> <table border="0"> <tr><td><u>7017K</u></td><td>30" MF</td></tr> <tr><td><u>7017KWH</u></td><td>30" White</td></tr> <tr><td><u>7017KBK</u></td><td>30" Black</td></tr> <tr><td><u>7017KMB</u></td><td>30" Bronze</td></tr> <tr><td><u>7018K</u></td><td>36" MF</td></tr> <tr><td><u>7018KWH</u></td><td>36" White</td></tr> <tr><td><u>7018KBK</u></td><td>36" Black</td></tr> <tr><td><u>7018KMB</u></td><td>36" Bronze</td></tr> </table>  | <u>7017K</u> | 30" MF | <u>7017KWH</u> | 30" White | <u>7017KBK</u> | 30" Black | <u>7017KMB</u> | 30" Bronze | <u>7018K</u> | 36" MF | <u>7018KWH</u> | 36" White | <u>7018KBK</u> | 36" Black | <u>7018KMB</u> | 36" Bronze | <p><b>1" SLIP COLLAR WITH THUMB SCREW</b><br/>Accepts 1" Serrated Tube for Telescoping Arms</p> <table border="0"> <tr><td><u>7000 (FL/TX)</u></td><td>Mill Finish x 9/16"</td></tr> <tr><td><u>7000WH</u></td><td>White x 9/16"</td></tr> <tr><td><u>7000BK</u></td><td>Black x 9/16"</td></tr> <tr><td><u>7000MB</u></td><td>Bronze x 9/16"</td></tr> <tr><td><u>MILL ORDER</u></td><td>52-63-2484 MF x 20"</td></tr> <tr><td><u>52-00-139 (TX)</u></td><td>Mill Finish x 9/16" (No Thumbscrew)</td></tr> <tr><td><u>41014 (TX)</u></td><td>1/4-20 x 3/4 Thumbscrew (mates with 52-00-139)</td></tr> <tr><td><u>41021 (TX)</u></td><td>1/4-20 x 1 Thumbscrew (mates with 52-00-139)</td></tr> </table> <p><b>CAMEL BACK CLIP WITH PIN</b></p> <table border="0"> <tr><td><u>7001</u></td><td>Mill Finish</td></tr> <tr><td><u>7001WH</u></td><td>White</td></tr> <tr><td><u>7001BK</u></td><td>Black</td></tr> <tr><td><u>7001MB</u></td><td>Bronze</td></tr> <tr><td><u>41010 (TX)</u></td><td>Camel Back Clip (no pin)</td></tr> <tr><td><u>41012 (TX)</u></td><td>Camel Back Pin</td></tr> </table>  | <u>7000 (FL/TX)</u> | Mill Finish x 9/16" | <u>7000WH</u> | White x 9/16" | <u>7000BK</u> | Black x 9/16" | <u>7000MB</u> | Bronze x 9/16" | <u>MILL ORDER</u> | 52-63-2484 MF x 20" | <u>52-00-139 (TX)</u> | Mill Finish x 9/16" (No Thumbscrew) | <u>41014 (TX)</u> | 1/4-20 x 3/4 Thumbscrew (mates with 52-00-139) | <u>41021 (TX)</u> | 1/4-20 x 1 Thumbscrew (mates with 52-00-139) | <u>7001</u> | Mill Finish | <u>7001WH</u> | White | <u>7001BK</u> | Black | <u>7001MB</u> | Bronze | <u>41010 (TX)</u> | Camel Back Clip (no pin) | <u>41012 (TX)</u> | Camel Back Pin |
| <u>7002K</u>  | 12" MF   |        |                |           |                |           |                |            |                      |        |                |           |                |           |                |            |                      |        |                |           |                        |           |                |            |  |              |        |                |           |                |           |                |            |              |        |                |           |                |           |                |            |  |                     |                     |               |               |               |               |               |                |                   |                     |                       |                                     |                   |  |                   |  |             |             |               |       |               |       |               |        |                   |                          |                   |                |
| <u>7002KWH</u>  | 12" White                                      |        |                |           |                |           |                |            |                      |        |                |           |                |           |                |            |                      |        |                |           |                        |           |                |            |  |              |        |                |           |                |           |                |            |              |        |                |           |                |           |                |            |  |                     |                     |               |               |               |               |               |                |                   |                     |                       |                                     |                   |  |                   |  |             |             |               |       |               |       |               |        |                   |                          |                   |                |
| <u>7002KBK</u>  | 12" Black                                      |        |                |           |                |           |                |            |                      |        |                |           |                |           |                |            |                      |        |                |           |                        |           |                |            |  |              |        |                |           |                |           |                |            |              |        |                |           |                |           |                |            |  |                     |                     |               |               |               |               |               |                |                   |                     |                       |                                     |                   |  |                   |  |             |             |               |       |               |       |               |        |                   |                          |                   |                |
| <u>7002KMB</u>  | 12" Bronze                                     |        |                |           |                |           |                |            |                      |        |                |           |                |           |                |            |                      |        |                |           |                        |           |                |            |  |              |        |                |           |                |           |                |            |              |        |                |           |                |           |                |            |  |                     |                     |               |               |               |               |               |                |                   |                     |                       |                                     |                   |  |                   |  |             |             |               |       |               |       |               |        |                   |                          |                   |                |
| <u>7003K (FL/TX)</u>  | 18" MF   |        |                |           |                |           |                |            |                      |        |                |           |                |           |                |            |                      |        |                |           |                        |           |                |            |  |              |        |                |           |                |           |                |            |              |        |                |           |                |           |                |            |  |                     |                     |               |               |               |               |               |                |                   |                     |                       |                                     |                   |  |                   |  |             |             |               |       |               |       |               |        |                   |                          |                   |                |
| <u>7003KWH</u>  | 18" White                                      |        |                |           |                |           |                |            |                      |        |                |           |                |           |                |            |                      |        |                |           |                        |           |                |            |  |              |        |                |           |                |           |                |            |              |        |                |           |                |           |                |            |  |                     |                     |               |               |               |               |               |                |                   |                     |                       |                                     |                   |  |                   |  |             |             |               |       |               |       |               |        |                   |                          |                   |                |
| <u>7003KBK</u>  | 18" Black                                      |        |                |           |                |           |                |            |                      |        |                |           |                |           |                |            |                      |        |                |           |                        |           |                |            |  |              |        |                |           |                |           |                |            |              |        |                |           |                |           |                |            |  |                     |                     |               |               |               |               |               |                |                   |                     |                       |                                     |                   |  |                   |  |             |             |               |       |               |       |               |        |                   |                          |                   |                |
| <u>7003KMB</u>  | 18" Bronze                                     |        |                |           |                |           |                |            |                      |        |                |           |                |           |                |            |                      |        |                |           |                        |           |                |            |  |              |        |                |           |                |           |                |            |              |        |                |           |                |           |                |            |  |                     |                     |               |               |               |               |               |                |                   |                     |                       |                                     |                   |  |                   |  |             |             |               |       |               |       |               |        |                   |                          |                   |                |
| <u>7004K (FL/TX)</u>  | 24" MF   |        |                |           |                |           |                |            |                      |        |                |           |                |           |                |            |                      |        |                |           |                        |           |                |            |  |              |        |                |           |                |           |                |            |              |        |                |           |                |           |                |            |  |                     |                     |               |               |               |               |               |                |                   |                     |                       |                                     |                   |  |                   |  |             |             |               |       |               |       |               |        |                   |                          |                   |                |
| <u>7004KWH</u>  | 24" White                                      |        |                |           |                |           |                |            |                      |        |                |           |                |           |                |            |                      |        |                |           |                        |           |                |            |  |              |        |                |           |                |           |                |            |              |        |                |           |                |           |                |            |  |                     |                     |               |               |               |               |               |                |                   |                     |                       |                                     |                   |  |                   |  |             |             |               |       |               |       |               |        |                   |                          |                   |                |
| <u>7004KBK (FL/TX)</u>  | 24" Black                                      |        |                |           |                |           |                |            |                      |        |                |           |                |           |                |            |                      |        |                |           |                        |           |                |            |  |              |        |                |           |                |           |                |            |              |        |                |           |                |           |                |            |  |                     |                     |               |               |               |               |               |                |                   |                     |                       |                                     |                   |  |                   |  |             |             |               |       |               |       |               |        |                   |                          |                   |                |
| <u>7004KMB</u>  | 24" Bronze                                     |        |                |           |                |           |                |            |                      |        |                |           |                |           |                |            |                      |        |                |           |                        |           |                |            |  |              |        |                |           |                |           |                |            |              |        |                |           |                |           |                |            |  |                     |                     |               |               |               |               |               |                |                   |                     |                       |                                     |                   |  |                   |  |             |             |               |       |               |       |               |        |                   |                          |                   |                |
| <u>7017K</u>  | 30" MF   |        |                |           |                |           |                |            |                      |        |                |           |                |           |                |            |                      |        |                |           |                        |           |                |            |  |              |        |                |           |                |           |                |            |              |        |                |           |                |           |                |            |  |                     |                     |               |               |               |               |               |                |                   |                     |                       |                                     |                   |  |                   |  |             |             |               |       |               |       |               |        |                   |                          |                   |                |
| <u>7017KWH</u>  | 30" White                                      |        |                |           |                |           |                |            |                      |        |                |           |                |           |                |            |                      |        |                |           |                        |           |                |            |  |              |        |                |           |                |           |                |            |              |        |                |           |                |           |                |            |  |                     |                     |               |               |               |               |               |                |                   |                     |                       |                                     |                   |  |                   |  |             |             |               |       |               |       |               |        |                   |                          |                   |                |
| <u>7017KBK</u>  | 30" Black                                      |        |                |           |                |           |                |            |                      |        |                |           |                |           |                |            |                      |        |                |           |                        |           |                |            |  |              |        |                |           |                |           |                |            |              |        |                |           |                |           |                |            |  |                     |                     |               |               |               |               |               |                |                   |                     |                       |                                     |                   |  |                   |  |             |             |               |       |               |       |               |        |                   |                          |                   |                |
| <u>7017KMB</u>  | 30" Bronze                                     |        |                |           |                |           |                |            |                      |        |                |           |                |           |                |            |                      |        |                |           |                        |           |                |            |  |              |        |                |           |                |           |                |            |              |        |                |           |                |           |                |            |  |                     |                     |               |               |               |               |               |                |                   |                     |                       |                                     |                   |  |                   |  |             |             |               |       |               |       |               |        |                   |                          |                   |                |
| <u>7018K</u>  | 36" MF   |        |                |           |                |           |                |            |                      |        |                |           |                |           |                |            |                      |        |                |           |                        |           |                |            |  |              |        |                |           |                |           |                |            |              |        |                |           |                |           |                |            |  |                     |                     |               |               |               |               |               |                |                   |                     |                       |                                     |                   |  |                   |  |             |             |               |       |               |       |               |        |                   |                          |                   |                |
| <u>7018KWH</u>  | 36" White                                      |        |                |           |                |           |                |            |                      |        |                |           |                |           |                |            |                      |        |                |           |                        |           |                |            |  |              |        |                |           |                |           |                |            |              |        |                |           |                |           |                |            |  |                     |                     |               |               |               |               |               |                |                   |                     |                       |                                     |                   |  |                   |  |             |             |               |       |               |       |               |        |                   |                          |                   |                |
| <u>7018KBK</u>  | 36" Black                                      |        |                |           |                |           |                |            |                      |        |                |           |                |           |                |            |                      |        |                |           |                        |           |                |            |  |              |        |                |           |                |           |                |            |              |        |                |           |                |           |                |            |  |                     |                     |               |               |               |               |               |                |                   |                     |                       |                                     |                   |  |                   |  |             |             |               |       |               |       |               |        |                   |                          |                   |                |
| <u>7018KMB</u>  | 36" Bronze                                     |        |                |           |                |           |                |            |                      |        |                |           |                |           |                |            |                      |        |                |           |                        |           |                |            |  |              |        |                |           |                |           |                |            |              |        |                |           |                |           |                |            |  |                     |                     |               |               |               |               |               |                |                   |                     |                       |                                     |                   |  |                   |  |             |             |               |       |               |       |               |        |                   |                          |                   |                |
| <u>7000 (FL/TX)</u>   | Mill Finish x 9/16"                            |        |                |           |                |           |                |            |                      |        |                |           |                |           |                |            |                      |        |                |           |                        |           |                |            |  |              |        |                |           |                |           |                |            |              |        |                |           |                |           |                |            |  |                     |                     |               |               |               |               |               |                |                   |                     |                       |                                     |                   |  |                   |  |             |             |               |       |               |       |               |        |                   |                          |                   |                |
| <u>7000WH</u>   | White x 9/16"                                  |        |                |           |                |           |                |            |                      |        |                |           |                |           |                |            |                      |        |                |           |                        |           |                |            |  |              |        |                |           |                |           |                |            |              |        |                |           |                |           |                |            |  |                     |                     |               |               |               |               |               |                |                   |                     |                       |                                     |                   |  |                   |  |             |             |               |       |               |       |               |        |                   |                          |                   |                |
| <u>7000BK</u>   | Black x 9/16"                                  |        |                |           |                |           |                |            |                      |        |                |           |                |           |                |            |                      |        |                |           |                        |           |                |            |  |              |        |                |           |                |           |                |            |              |        |                |           |                |           |                |            |  |                     |                     |               |               |               |               |               |                |                   |                     |                       |                                     |                   |  |                   |  |             |             |               |       |               |       |               |        |                   |                          |                   |                |
| <u>7000MB</u>   | Bronze x 9/16"                                 |        |                |           |                |           |                |            |                      |        |                |           |                |           |                |            |                      |        |                |           |                        |           |                |            |  |              |        |                |           |                |           |                |            |              |        |                |           |                |           |                |            |  |                     |                     |               |               |               |               |               |                |                   |                     |                       |                                     |                   |  |                   |  |             |             |               |       |               |       |               |        |                   |                          |                   |                |
| <u>MILL ORDER</u>   | 52-63-2484 MF x 20"                            |        |                |           |                |           |                |            |                      |        |                |           |                |           |                |            |                      |        |                |           |                        |           |                |            |  |              |        |                |           |                |           |                |            |              |        |                |           |                |           |                |            |  |                     |                     |               |               |               |               |               |                |                   |                     |                       |                                     |                   |  |                   |  |             |             |               |       |               |       |               |        |                   |                          |                   |                |
| <u>52-00-139 (TX)</u>   | Mill Finish x 9/16" (No Thumbscrew)            |        |                |           |                |           |                |            |                      |        |                |           |                |           |                |            |                      |        |                |           |                        |           |                |            |  |              |        |                |           |                |           |                |            |              |        |                |           |                |           |                |            |  |                     |                     |               |               |               |               |               |                |                   |                     |                       |                                     |                   |  |                   |  |             |             |               |       |               |       |               |        |                   |                          |                   |                |
| <u>41014 (TX)</u>   | 1/4-20 x 3/4 Thumbscrew (mates with 52-00-139) |        |                |           |                |           |                |            |                      |        |                |           |                |           |                |            |                      |        |                |           |                        |           |                |            |  |              |        |                |           |                |           |                |            |              |        |                |           |                |           |                |            |  |                     |                     |               |               |               |               |               |                |                   |                     |                       |                                     |                   |  |                   |  |             |             |               |       |               |       |               |        |                   |                          |                   |                |
| <u>41021 (TX)</u>   | 1/4-20 x 1 Thumbscrew (mates with 52-00-139)   |        |                |           |                |           |                |            |                      |        |                |           |                |           |                |            |                      |        |                |           |                        |           |                |            |  |              |        |                |           |                |           |                |            |              |        |                |           |                |           |                |            |  |                     |                     |               |               |               |               |               |                |                   |                     |                       |                                     |                   |  |                   |  |             |             |               |       |               |       |               |        |                   |                          |                   |                |
| <u>7001</u>   | Mill Finish                                    |        |                |           |                |           |                |            |                      |        |                |           |                |           |                |            |                      |        |                |           |                        |           |                |            |  |              |        |                |           |                |           |                |            |              |        |                |           |                |           |                |            |  |                     |                     |               |               |               |               |               |                |                   |                     |                       |                                     |                   |  |                   |  |             |             |               |       |               |       |               |        |                   |                          |                   |                |
| <u>7001WH</u>   | White  |        |                |           |                |           |                |            |                      |        |                |           |                |           |                |            |                      |        |                |           |                        |           |                |            |  |              |        |                |           |                |           |                |            |              |        |                |           |                |           |                |            |  |                     |                     |               |               |               |               |               |                |                   |                     |                       |                                     |                   |  |                   |  |             |             |               |       |               |       |               |        |                   |                          |                   |                |
| <u>7001BK</u>   | Black  |        |                |           |                |           |                |            |                      |        |                |           |                |           |                |            |                      |        |                |           |                        |           |                |            |  |              |        |                |           |                |           |                |            |              |        |                |           |                |           |                |            |  |                     |                     |               |               |               |               |               |                |                   |                     |                       |                                     |                   |  |                   |  |             |             |               |       |               |       |               |        |                   |                          |                   |                |
| <u>7001MB</u>   | Bronze   |        |                |           |                |           |                |            |                      |        |                |           |                |           |                |            |                      |        |                |           |                        |           |                |            |  |              |        |                |           |                |           |                |            |              |        |                |           |                |           |                |            |  |                     |                     |               |               |               |               |               |                |                   |                     |                       |                                     |                   |  |                   |  |             |             |               |       |               |       |               |        |                   |                          |                   |                |
| <u>41010 (TX)</u>   | Camel Back Clip (no pin)                       |        |                |           |                |           |                |            |                      |        |                |           |                |           |                |            |                      |        |                |           |                        |           |                |            |  |              |        |                |           |                |           |                |            |              |        |                |           |                |           |                |            |  |                     |                     |               |               |               |               |               |                |                   |                     |                       |                                     |                   |  |                   |  |             |             |               |       |               |       |               |        |                   |                          |                   |                |
| <u>41012 (TX)</u>   | Camel Back Pin                                 |        |                |           |                |           |                |            |                      |        |                |           |                |           |                |            |                      |        |                |           |                        |           |                |            |  |              |        |                |           |                |           |                |            |              |        |                |           |                |           |                |            |  |                     |                     |               |               |               |               |               |                |                   |                     |                       |                                     |                   |  |                   |  |             |             |               |       |               |       |               |        |                   |                          |                   |                |

|  |           |        |        |           |        |        |  |                   |           |                    |           |  |             |      |             |       |             |       |   |
|--|-----------|--------|--------|-----------|--------|--------|--|-------------------|-----------|--------------------|-----------|--|-------------|------|-------------|-------|-------------|-------|---|
| <p><b>Telescoping Serrated Tube x 20'</b> Mill Finish</p> <table border="0"> <tr><td>52-63-537</td><td>.875"</td><td>26 pcs</td></tr> <tr><td>51-63-381</td><td>1.000"</td><td>32 pcs</td></tr> </table>  | 52-63-537 | .875"  | 26 pcs | 51-63-381 | 1.000" | 32 pcs | <p><b>Corner Key/Tie Down</b><br/>Mill Finish Angle</p> <table border="0"> <tr><td>2 x 2 x 1/8 x 20'</td><td>11-63-315</td></tr> <tr><td>2 x 2 x 3/16 x 20'</td><td>11-63-320</td></tr> </table>  | 2 x 2 x 1/8 x 20' | 11-63-315 | 2 x 2 x 3/16 x 20' | 11-63-320 | <p><b>Fixed Low Pro Colonial Mounting Bracket</b><br/>1.5 x 1.5 x .062 Angle<br/>Pre-Drilled 3/16" Holes</p> <table border="0"> <tr><td><u>7058</u></td><td>x 4"</td></tr> <tr><td><u>7053</u></td><td>x 10"</td></tr> <tr><td><u>7055</u></td><td>x 14"</td></tr> </table>  | <u>7058</u> | x 4" | <u>7053</u> | x 10" | <u>7055</u> | x 14" | <p><b>Low Pro Hold Back Clip</b><br/>Sold in Pairs (box of 100)<br/><u>LP-HOLDBACK</u></p>  <p><small>Copyright 2007-2016 Eastern Metal Supply, Inc. HV™ BERTHA HV®, BERTHA® are all trademarks of Eastern Metal Supply, Inc. ASSA® is a trademark of the American Shutter Systems Association. All rights reserved.</small></p> |
| 52-63-537  | .875"     | 26 pcs |        |           |        |        |  |                   |           |                    |           |  |             |      |             |       |             |       |   |
| 51-63-381  | 1.000"    | 32 pcs |        |           |        |        |  |                   |           |                    |           |  |             |      |             |       |             |       |   |
| 2 x 2 x 1/8 x 20'  | 11-63-315 |        |        |           |        |        |  |                   |           |                    |           |  |             |      |             |       |             |       |   |
| 2 x 2 x 3/16 x 20'   | 11-63-320 |        |        |           |        |        |  |                   |           |                    |           |  |             |      |             |       |             |       |   |
| <u>7058</u>  | x 4"      |        |        |           |        |        |  |                   |           |                    |           |  |             |      |             |       |             |       |   |
| <u>7053</u>  | x 10"     |        |        |           |        |        |  |                   |           |                    |           |  |             |      |             |       |             |       |   |
| <u>7055</u>  | x 14"     |        |        |           |        |        |  |                   |           |                    |           |  |             |      |             |       |             |       |   |

Hurricane 55



**Eastern Metal Supply**  
Quality Shapes In Aluminum

**EMS FL**

1-800-432-2204  
(561) 588-4780 - fax

**EMS NC**

1-800-343-8154  
(704) 391-2267 - fax

**EMS TX**

1-800-996-6061  
(281) 656-2297 - fax

**EMS MO**

1-888-822-6061  
(314) 344-3349 - fax

**Additional Locations:** West Palm Beach & Lakeland, FL; Newark, DE and Birmingham, AL

**website:** [www.EasternMetal.com](http://www.EasternMetal.com)

**e-mail:** [info@EasternMetal.com](mailto:info@EasternMetal.com)

**version:** 08/18/16