

Gangway and Dock Systems & Seawall Caps

Whether you're looking for Dock, Ramp or Gangway related extrusions, Bleacher planks or Seawall Caps and sleeves EMS has what you need to get the job done right. Don't forget to check out our Handrail section for a wide assortment of handrail extrusions. We also carry Square Tube (Standards pp15) and Pipe (Standards pp21-22). Call us today for more information!

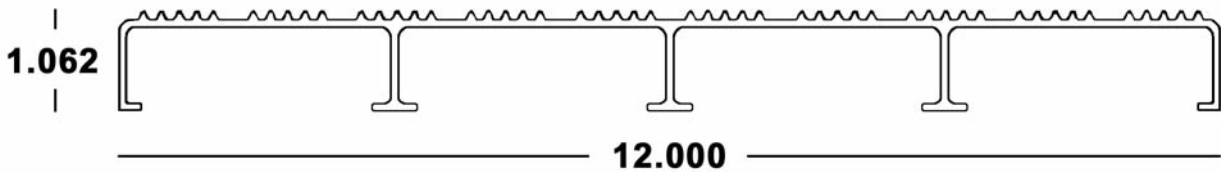


Scan QR Code to view Dock section online:



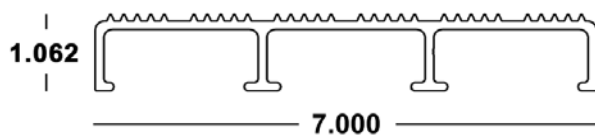
12" Dock Flooring x 24' 1"
30-63-112

6005-T5 Mill Finish Knurled *Engineering available upon request*

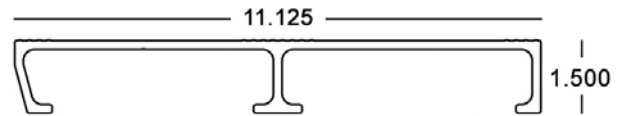


7" Step x 24' 1"
30-61-116

6005-T5 Mill Finish



11.125" x 1.5" Decking
MILL ORDER 52-63-13422

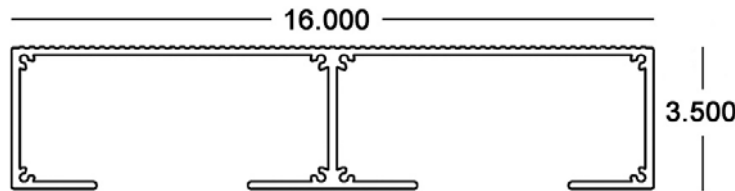


3-1/2" x 16" Walk Board

6005A-T61; *Mates with End Cap 30-EC-000*

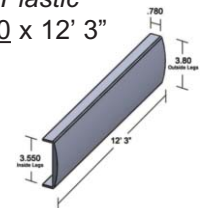
Custom Lengths Available; Sandblasted Finish Available as a Special Order

- 30-61-312 x 12'
- 30-61-314 x 14'
- 30-61-316 x 16'
- 30-61-318 x 18'
- 30-61-320 x 20'
- 30-61-324 x 24'
- 30-61-330 x 30'



16" Walk Board End Cap

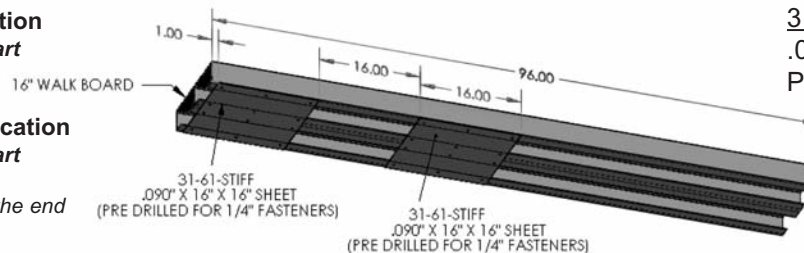
UV Black Plastic
30-EC-000 x 12' 3"



- 7' - 8' Free Span Application
Requires 2 Stiffeners 16" apart

- 8' to 10' Free Span Application
Requires 3 Stiffeners 16" apart

Start the first Stiffener 1" from the end of span to allow for End Cap.



16" Walk Board Stiffener

31-61-STIFF
.090 x 16" x 16"
Predrilled with 1/4" holes



Dock 01



EMS FL

1-800-432-2204
(561) 588-4780 - fax

EMS NC

1-800-343-8154
(704) 391-2267 - fax

EMS TX

1-800-996-6061
(281) 656-2297 - fax

EMS MO

1-888-822-6061
(314) 344-3349 - fax

Eastern Metal Supply

Quality Shapes In Aluminum

Additional Locations: West Palm Beach & Lakeland, FL; Newark, DE and Birmingham, AL

website: www.EasternMetal.com

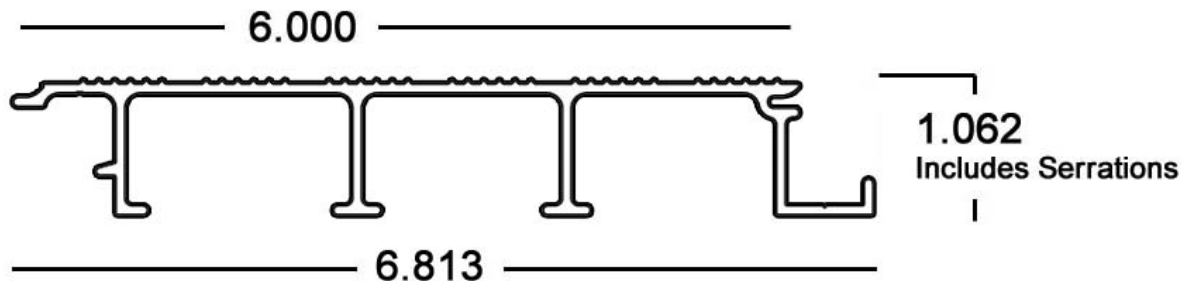
e-mail: info@EasternMetal.com

version: 08/09/16

Two Piece Self Mating Dock Flooring x 24' 1"

30-63-101

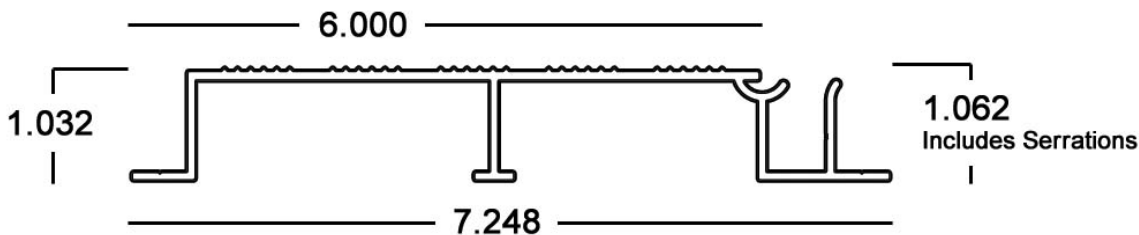
6063-T6 Mill Finish; Knurled



Three Piece Starting Board x 24' 1" (Mates with 30-63-145 and 30-63-155)

30-63-150

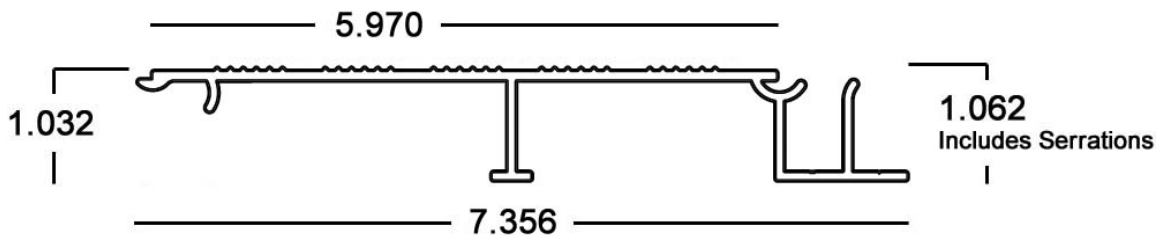
6063-T6 Mill Finish; Knurled



Three Piece Interlocking Board x 24' 1" (Self Mating; Mates with 30-63-145 and 30-63-155)

30-63-155

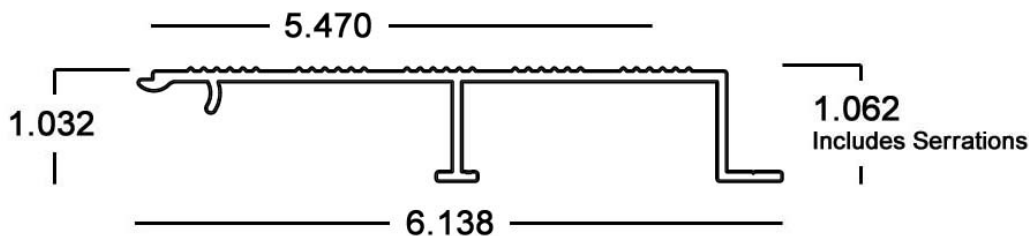
6063-T6 Mill Finish; Knurled



Three Piece Finishing Board x 24' 1" (Mates with 30-63-150 and 30-63-155)

30-63-145

6063-T6 Mill Finish; Knurled



Dock 02



Eastern Metal Supply

Quality Shapes In Aluminum

EMS FL

1-800-432-2204

(561) 588-4780 - fax

EMS NC

1-800-343-8154

(704) 391-2267 - fax

EMS TX

1-800-996-6061

(281) 656-2297 - fax

EMS MO

1-888-822-6061

(314) 344-3349 - fax

Additional Locations: West Palm Beach & Lakeland, FL; Newark, DE and Birmingham, AL

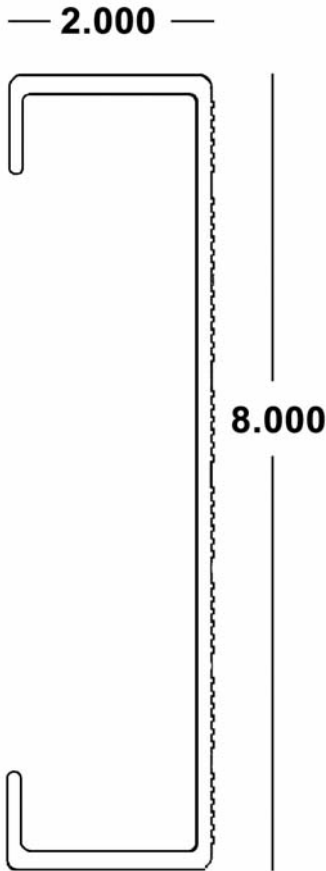
website: www.EasternMetal.com

e-mail: info@EasternMetal.com

version: 08/15/16

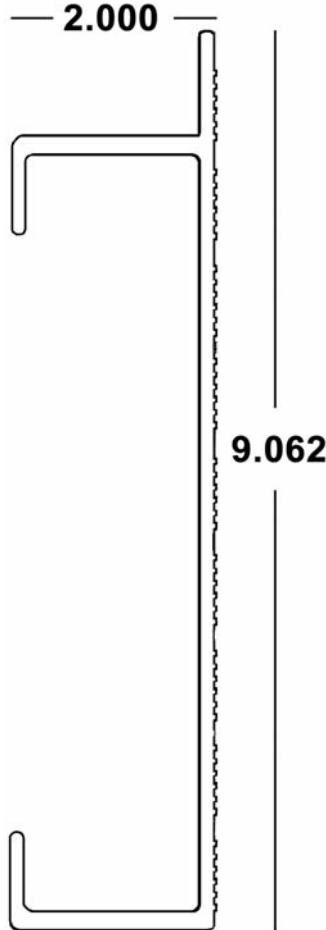
Dock Support Beam

6061-T6 Mill Finish
30-61-110 x 20'
30-61-113 (NC/DE) x 28'
30-61-111 x 25'
30-61-112 (NC/DE) x 32'



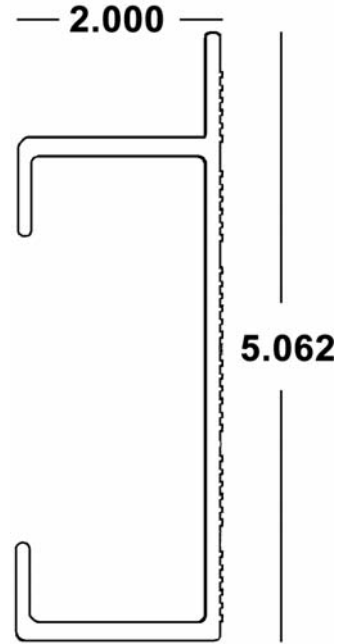
Dock Support Beam with Lip

6061-T6 Mill Finish
30-61-108 x 28'
30-61-132 x 32'



Gangway Beam with Lip

6061-T6 Mill Finish
30-61-115 x 20'
30-61-118 (NC/DE) x 28'
30-61-128 x 28' (6005 T5)



Boat Dock Connector

30-61-120 x 12'
 6061-T6 Mill Finish
 accepts 1-1/2" SCH 40 pipe



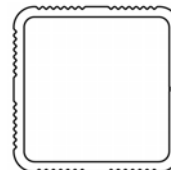
Square Tube (Radius Corners)

6061-T6 Mill Finish
52-61-1768 (NC)
 2 x 1/8 x 32'
19-61-534 (NC/MO)
 2.7 x 1/8 x 20'
Mates with 19-61-535
19-61-535 (NC/TX/MO/DE)
 3" x 1/8" x 20'
Mates with 19-61-534



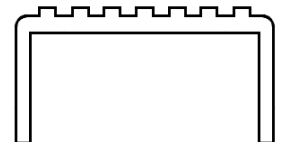
Ribbed Square Tube

(Radius Corners) 6005-T5 Mill Finish
30-05-200 (NC/DE)
 2" x 1/8" x 32'
30-05-205 (NC/DE)
 3" x 1/8" x 20'



2 x 1 Ladder Rung

40-05-100



Dock 03



Eastern Metal Supply
 Quality Shapes In Aluminum

EMS FL

1-800-432-2204
 (561) 588-4780 - fax

EMS NC

1-800-343-8154
 (704) 391-2267 - fax

EMS TX

1-800-996-6061
 (281) 656-2297 - fax

EMS MO

1-888-822-6061
 (314) 344-3349 - fax

Additional Locations: West Palm Beach & Lakeland, FL; Newark, DE and Birmingham, AL

website: www.EasternMetal.com

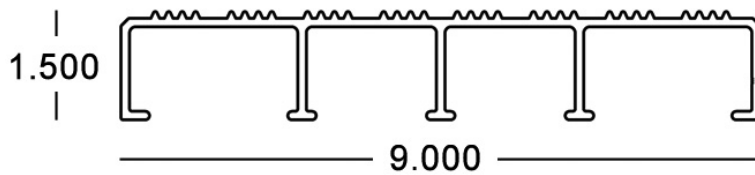
e-mail: info@EasternMetal.com

version: 08/10/16

9" Deck X 24'

MILL ORDER 52-63-13776

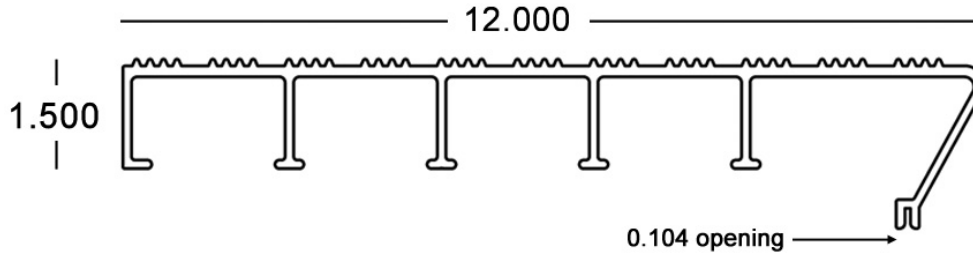
6063-T6
Mill Finish
Knurled



12" Step with Insert x 12' 3"

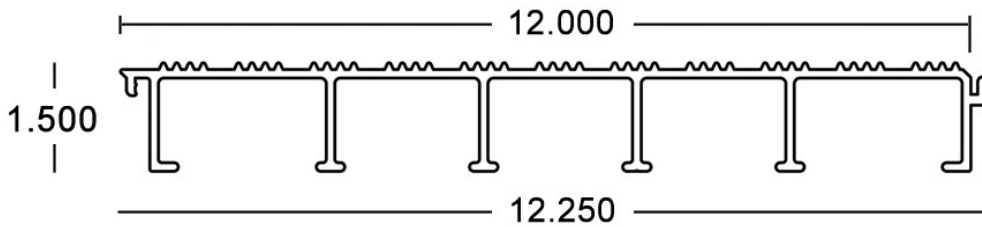
30-63-115

6063-T6
Mill Finish



12" Self Mating Deck x 24' (Meets all ADA requirements)

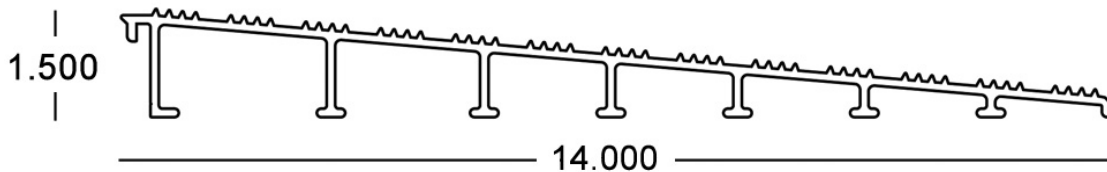
30-63-120 6063-T6 Mill Finish Knurled *Mates with 52-63-10441 (14" Transition Ramp)*



14" Transition Ramp x 8'

52-63-10441 6063-T6 Mill Finish

Mates with 30-63-120 (12" Self Mating Deck)

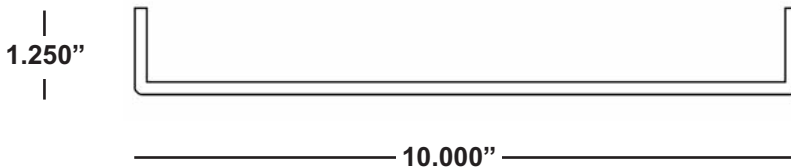


10" Side Channel x 24'

30-63-140

6063-T6 Mill Finish

Wall: .188

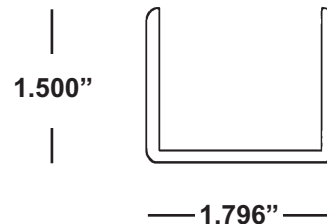


End Cap Channel x 24'

30-63-135

6063-T6 Mill Finish

Wall: .125



Dock 04



EMS FL

1-800-432-2204

(561) 588-4780 - fax

EMS NC

1-800-343-8154

(704) 391-2267 - fax

EMS TX

1-800-996-6061

(281) 656-2297 - fax

EMS MO

1-888-822-6061

(314) 344-3349 - fax

Eastern Metal Supply

Quality Shapes In Aluminum

Additional Locations: West Palm Beach & Lakeland, FL; Newark, DE and Birmingham, AL

website: www.EasternMetal.com

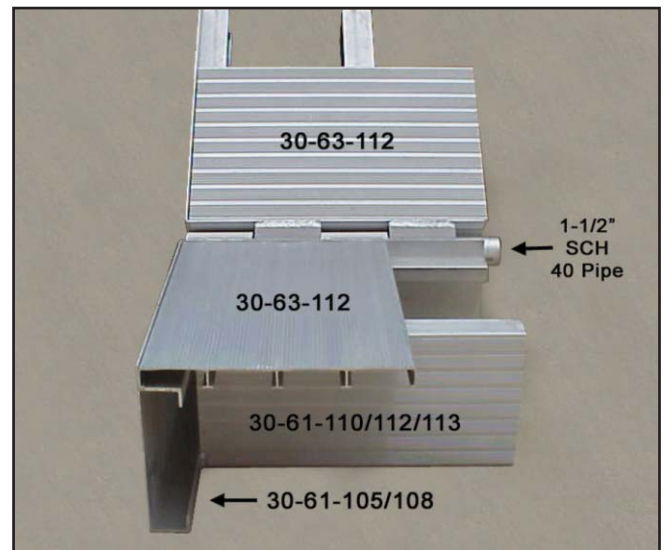
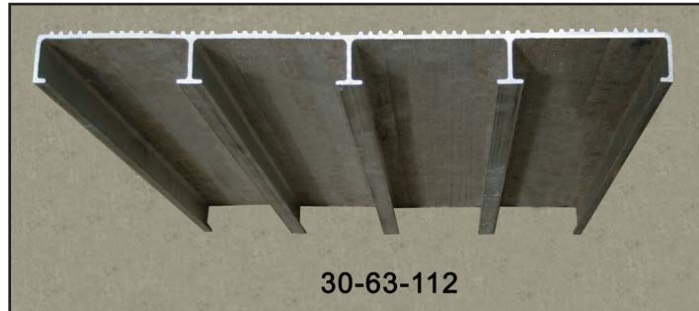
e-mail: info@EasternMetal.com

version: 10/28/16

Dock, Ramp and Gangway Systems - Assembly

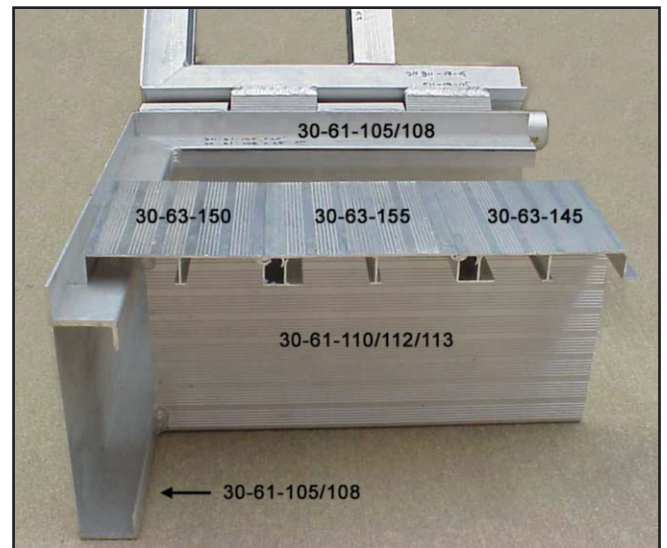
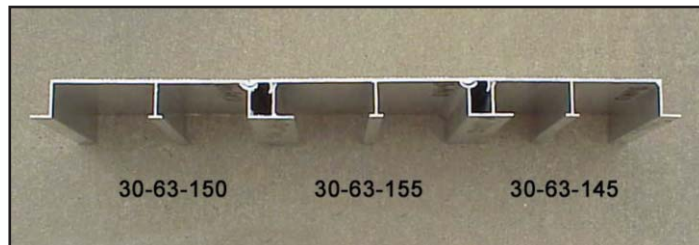
12" Dock Flooring

- 30-63-112: 12" Dock Flooring
- 30-61-110/112/113: Dock Support Beam
- 30-61-105/108: Dock Support Beam with Lip
- 18-63-235: 1-1/2" SCH 40 Pipe x 20'



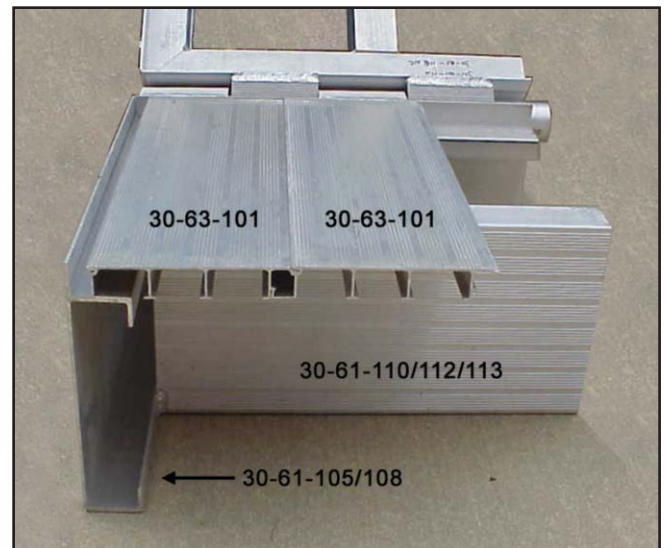
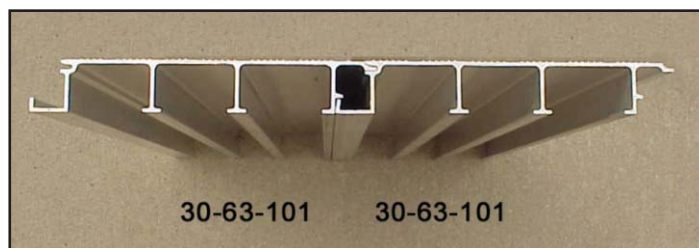
Three Piece Interlocking System

- 30-63-150: Three Piece Starting Board
- 30-63-155: Three Piece Interlocking Board
- 30-63-145: Three Piece Finishing Board
- 30-61-110/112/113: Dock Support Beam
- 30-61-105/108: Dock Support Beam with Lip



One Piece Self Mating System

- 30-63-101: Dock Flooring (Self Mating)
- 30-61-110/112/113: Dock Support Beam
- 30-61-105/108: Dock Support Beam with Lip



Dock 05



Eastern Metal Supply
Quality Shapes In Aluminum

EMS FL

1-800-432-2204
(561) 588-4780 - fax

EMS NC

1-800-343-8154
(704) 391-2267 - fax

EMS TX

1-800-996-6061
(281) 656-2297 - fax

EMS MO

1-888-822-6061
(314) 344-3349 - fax

Additional Locations: West Palm Beach & Lakeland, FL; Newark, DE and Birmingham, AL

website: www.EasternMetal.com

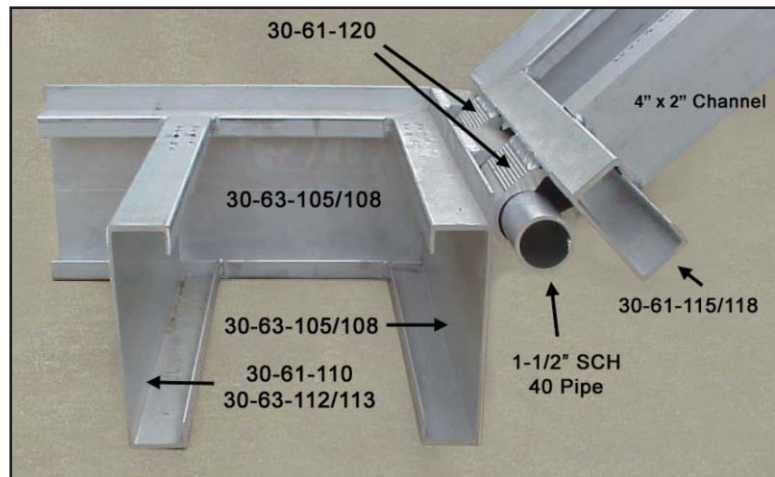
e-mail: info@EasternMetal.com

version: 09/29/10

Dock, Ramp and Gangway Systems - Assembly

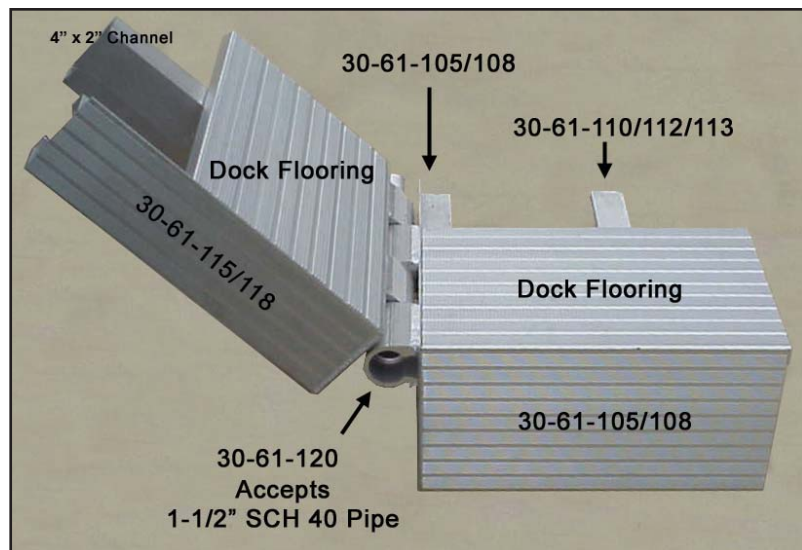
Dock Assembly (Inside View)

- 30-61-120: Boat Dock Connector
- 30-61-110/112/113: Dock Support Beam
- 30-61-105/108: Dock Support Beam with Lip
- 30-61-115/118: Gangway Beam with Lip
- 18-63-235: 1-1/2" SCH 40 Pipe x 20'
- 4" x 2" Structural Channel



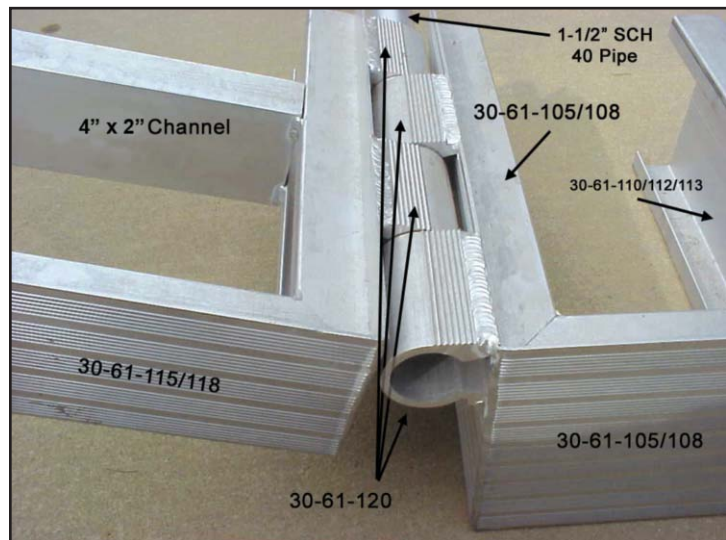
Dock Assembly (Outside View)

- 30-61-120: Boat Dock Connector
- 30-61-110/112/113: Dock Support Beam
- 30-61-105/108: Dock Support Beam with Lip
- 30-61-115/118: Gangway Beam with Lip
- 18-63-235: 1-1/2" SCH 40 Pipe x 20'
- 4" x 2" Structural Channel



Dock Assembly (Hinge View)

- 30-61-120: Boat Dock Connector
- 30-61-110/112/113: Dock Support Beam
- 30-61-105/108: Dock Support Beam with Lip
- 30-61-115/118: Gangway Beam with Lip
- 18-63-235: 1-1/2" SCH 40 Pipe x 20'
- 4" x 2" Structural Channel



Dock 06



Eastern Metal Supply
Quality Shapes In Aluminum

EMS FL

1-800-432-2204
(561) 588-4780 - fax

EMS NC

1-800-343-8154
(704) 391-2267 - fax

EMS TX

1-800-996-6061
(281) 656-2297 - fax

EMS MO

1-888-822-6061
(314) 344-3349 - fax

Additional Locations: West Palm Beach & Lakeland, FL; Newark, DE and Birmingham, AL

website: www.EasternMetal.com

e-mail: info@EasternMetal.com

version: 07/16/12

Endeck Capped Cellular 100% PVC Decking



WOODLAND SERIES - EMBOSSED VINYL DECK BOARD

(Light Colors)

<u>Stock Code</u>	<u>Color</u>	<u>Size</u>
WS-AW-144 (NC)	Ashwood	1" x 5-1/2" x 12'
WS-AW-192 (NC)	Ashwood	1" x 5-1/2" x 16'
WS-AW-240 (NC)	Ashwood	1" x 5-1/2" x 20'
WS-BW-144 (NC)	Beechwood	1" x 5-1/2" x 12'
WS-BW-192 (NC)	Beechwood	1" x 5-1/2" x 16'
WS-BW-240 (NC)	Beechwood	1" x 5-1/2" x 20'
WS-OW-144	Olivewood	1" x 5-1/2" x 12'
WS-OW-192	Olivewood	1" x 5-1/2" x 16'
WS-OW-240	Olivewood	1" x 5-1/2" x 20'

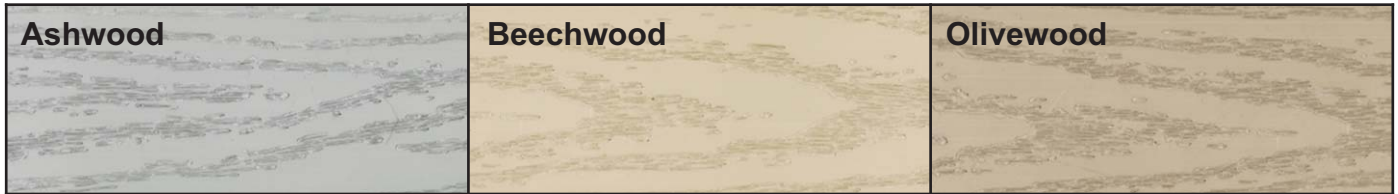


WOODLAND SERIES - EMBOSSED VINYL FASCIA

(Light Colors)

<u>Stock Code</u>	<u>Color</u>	<u>Size</u>
WSFB-AW-144 (NC)	Ashwood	7/16" x 11-7/8" x 12'
WSFB-BW-144 (NC)	Beechwood	7/16" x 11-7/8" x 12'
WSFB-OW-144	Olivewood	7/16" x 11 7/8" x 12'

To see color samples visit our Endeck products page:
www.easternmetal.com/dock_deck_bleachers_seawall-endeck_pvc_decking.html



FOREST SERIES - EMBOSSED VINYL DECK BOARD

(Dark Colors)

<u>Stock Code</u>	<u>Color</u>	<u>Size</u>
FS-CD-144 (NC)	Cedar	1" x 5-1/2" x 12'
FS-CD-192 (NC)	Cedar	1" x 5-1/2" x 16'
FS-CD-240 (NC)	Cedar	1" x 5-1/2" x 20'
FS-CN-144 (NC)	Chestnut	1" x 5-1/2" x 12'
FS-CN-192 (NC)	Chestnut	1" x 5-1/2" x 16'
FS-CN-240 (NC)	Chestnut	1" x 5-1/2" x 20'
FS-SQ-144 (NC)	Sequoia	1" x 5-1/2" x 12'
FS-SQ-192 (NC)	Sequoia	1" x 5-1/2" x 16'
FS-SQ-240 (NC)	Sequoia	1" x 5-1/2" x 20'

BEHR ULTRA Color Match

WOODLAND

Ashwood	635114206153
Beechwood	635114206145
Olivewood	635114206146

FOREST

Cedar	635114206152
Chestnut	635114206147
Sequoia	635114206156

FOREST SERIES - EMBOSSED VINYL FASCIA

(Dark Colors)

<u>Stock Code</u>	<u>Color</u>	<u>Size</u>
FSFB-CD-144 (NC)	Cedar	7/16" x 11-7/8" x 12'
FSFB-CH-144 (NC)	Chestnut	7/16" x 11-7/8" x 12'
FSFB-SQ-144 (NC)	Sequoia	7/16" x 11-7/8" x 12'

To see color samples visit our Endeck products page:
www.easternmetal.com/dock_deck_bleachers_seawall-endeck_pvc_decking.html



Dock 07



EMS FL

1-800-432-2204
(561) 588-4780 - fax

EMS NC

1-800-343-8154
(704) 391-2267 - fax

EMS TX

1-800-996-6061
(281) 656-2297 - fax

EMS MO

1-888-822-6061
(314) 344-3349 - fax

Eastern Metal Supply

Quality Shapes In Aluminum

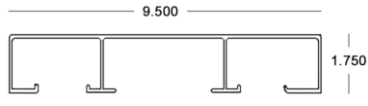
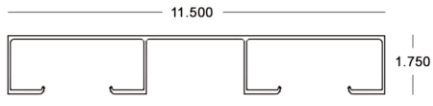
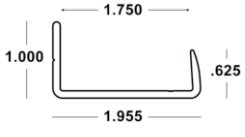
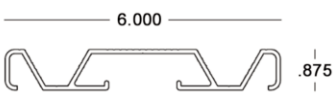
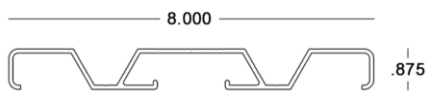

Additional Locations: West Palm Beach & Lakeland, FL; Newark, DE and Birmingham, AL

website: www.EasternMetal.com

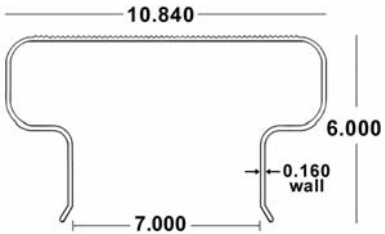
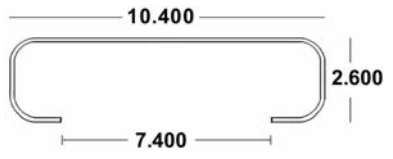
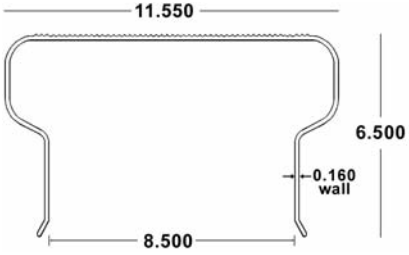
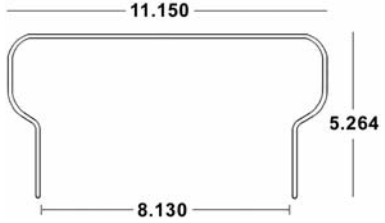
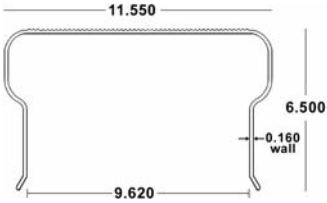
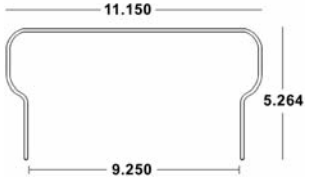

e-mail: info@EasternMetal.com

version: 05/16/17

BLEACHER SHAPES

<p>9.5" Bleacher Plank B-1 <u>52-63-7632</u> x 21' <u>52-63-5888</u> x 30' wt/ft: 1.932 6063 T6 M/F</p> 	<p>11.5" Bleacher Plank B-2 <u>52-63-4283</u> x 16' <u>52-63-6118</u> x 20' <u>52-63-13304</u> x 24' wt/ft: 2.13 6063 T6 M/F</p> 	<p>Bleacher Plank End Cap x 12' <u>52-63-6786</u> 6063-T6 Mill Finish</p> 
<p>6" Toe Kick Board <u>52-63-5892</u> wt/ft: 1.082 6063 T6 M/F</p> 	<p>8" Toe Kick Board MILL ORDER <u>52-63-13576</u> wt/ft: 1.274</p> 	<p>2 x 1.25 Slotted Bleacher Clip BLEACHER-CLIP 500 pc box For 9.5" Bleacher Plank 6063-T6 Mill Finish</p> 

SEAWALL CAPS & SLEEVES

<p>7" Bulkhead Cap x 20' <u>52-61-2780</u> (Serrated Top) 6005-T5</p> 	<p>7" Bulkhead Sleeve x 2' <u>52-61-2781</u> 6005-T5 *90° Corners available upon request</p> 	
<p>8" Bulkhead Cap x 20' <u>30-61-210</u> (Serrated Top) 6005-T5</p> 	<p>8" Bulkhead Sleeve x 2' <u>30-61-215*</u> 6005-T5 *90° Corners available upon request</p> 	
<p>9" Bulkhead Cap x 20' MILL ORDER <u>30-61-220</u> (Serrated Top)</p> 	<p>9" Bulkhead Sleeve x 2' MILL ORDER <u>30-61-225</u></p> 	<p>2" x 12" Self Mating Seawall MILL ORDER <u>EMS37826</u></p> 

Dock 08



Eastern Metal Supply
 Quality Shapes In Aluminum

EMS FL

1-800-432-2204
 (561) 588-4780 - fax

EMS NC

1-800-343-8154
 (704) 391-2267 - fax

EMS TX

1-800-996-6061
 (281) 656-2297 - fax

EMS MO

1-888-822-6061
 (314) 344-3349 - fax

Additional Locations: West Palm Beach & Lakeland, FL; Newark, DE and Birmingham, AL

website: www.EasternMetal.com

e-mail: info@EasternMetal.com

version: 12/13/16