



Installation Instructions

Endeck must be installed using the same good construction principles used to apply wood or composite deck, in accordance with local building codes and these installation guidelines.

Getting Started:

Careful planning of the finished deck layout will result in a better looking finished project. Joist location plays an important role in the safety of the deck itself. Before starting, read the instructions of both the decking and railing systems planned for the project.

Endeck PVC boards will cut, screw and nail similar to standard wood products.

When applying Endeck board on an existing joist structure, check to make sure all joists are level and structurally sound, with no nails or screws protruding.

Recommended Tools and Material:

- Carbide saw blades (Circular or Compound Miter saws)
- Tape measure
- Screws or Deck fasteners
- Safety glasses
- Corded or cordless drivers, Screw Gun or Hammer

Endeck PVC Deck Cleaning and Maintenance Guide

Endeck PVC decking products are aesthetically pleasing, durable and easy to maintain. Like all other low maintenance exterior products that are regularly exposed to the elements, Endeck PVC decking will require cleaning from time to time. For light dirt and dust, you can sweep the dirt off the deck. Heavier trafficked areas or food stains may require soft bristle brush and cleaner similar to Simple Green® diluted to the manufacturer's specification.

If Stains are a little more stubborn, just follow these easy instructions:

Wash PVC products with a soft cloth or long handled soft bristle brush (similar to what you would use on your vehicle).

If the stain is difficult to remove, wipe down with one cup of Simple Green® or equivalent mixed with one gallon of water. The solution can be put in a spray bottle, sprayed on and brushed with a soft bristle brush. You can also mix 1/3 cup mild detergent such as Tide® or equivalent, 2/3 cup household cleaner such as Spic & Span® or equivalent with one gallon of water. Rinse all cleaners with water before they dry.

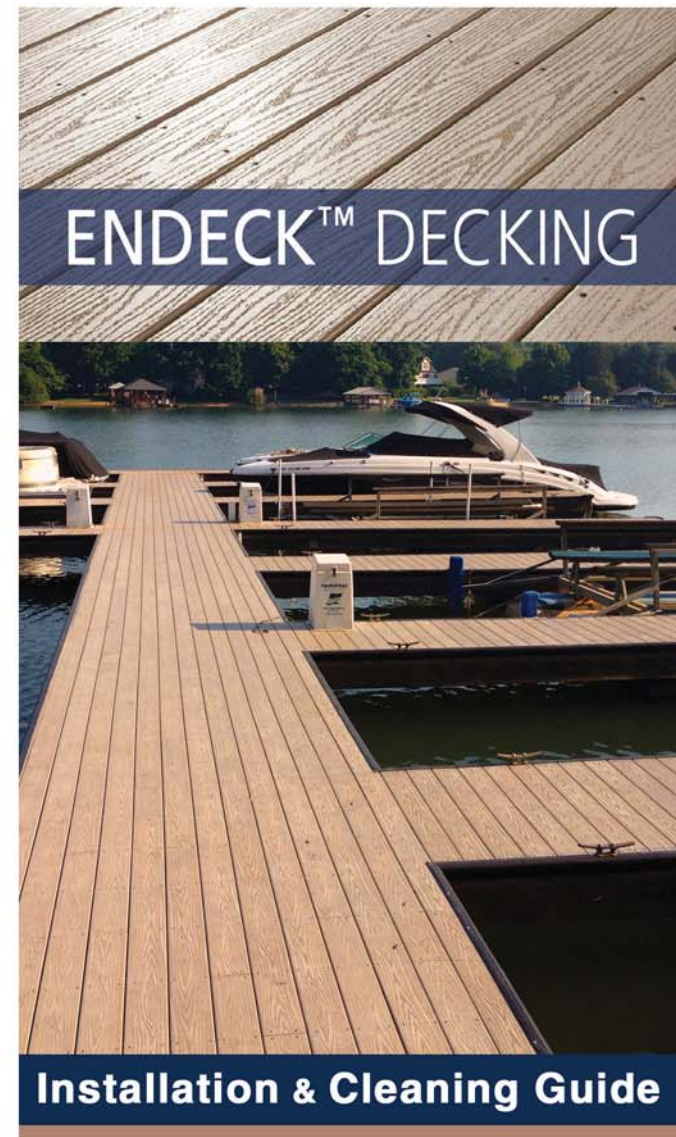
Should more persistent stains exist, refer to the chart below. Follow the precautionary instructions on the container label. Protect all vegetation from direct contact with the cleaning agent.

PVC Product Cleaners

General cleaners (e.g. Simple Green®) can be used to clean dirt, bird droppings, spider webs, etc. from PVC products. Stain-specific cleaners are listed below. Rinse all cleaners with water before they dry.

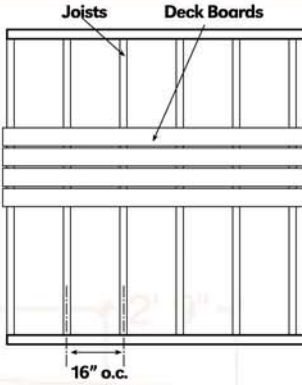
Stain	Cleaners*
Gum, Grass, Car Grease Motor Oil, Rust, Top Soil	Fantastik®, Lestoil®, Lysol® Murphy® Oil Soap, Windex®
Crayon	Lestoil®
DAP (oil-based caulk) Felt-tip Pen	Fantastik®
Paint, Pencil, Tar	Brillo® Pad, Soft Scrub®

*Endeck does not endorse products or processes and makes no warranties for the products referenced herein. Reference to proprietary names is for illustrative purposes only and is not intended to imply that there are not equally effective alternatives.

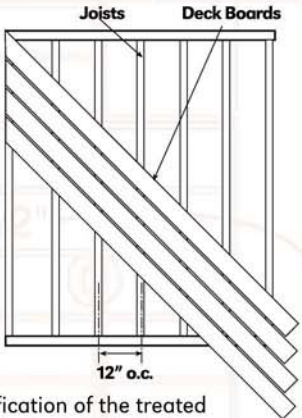


Joist Spacing

- Do not exceed 16" center to center joist spacing for applications with Endeck boards perpendicular to joists.
- Wherever deck boards are installed end to end, a double joist is required to fasten the deck boards to the joists.
- Install 2 deck screws at each joist.
- Do not exceed 12" center to center for commercial applications.

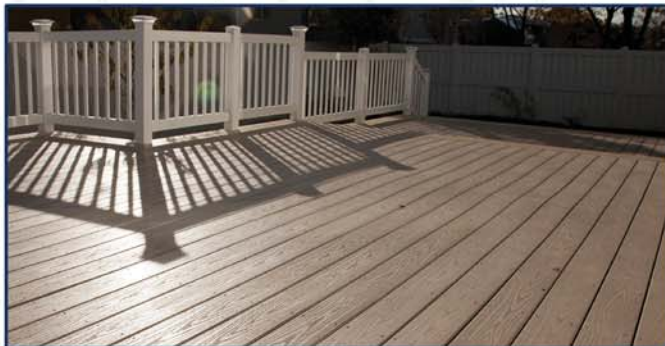


- Do not exceed 12" center to center for angle of 45 degrees such as herringbone.
- Decking material should not be used for the support of railing systems. Substructure must be built in accordance with railing manufacturer's specification and local building codes.



Fasteners

- Fasteners must meet the specification of the treated substructure used in each particular installed job.
- Minimum screw size of # 8 x 2.25"
- Stainless Steel
- Color-matched deck screw equivalent to FastenMaster Trim Top™ Stainless Steel Coated Trim screws.
- Hidden fasteners equivalent to Tiger Claw™ TC-3S. Consult the fastener manufacturer to ensure proper use and compatibility.



Board Spacing

Use a spacer to create a gap of 1/8" to 1/4" between each deck board to allow for proper drainage. Optional spacers are available at most lumberyards.

Expansion & Contraction

Endeck boards will have minimal expansion and contraction with changes in temperature. Expansion and contraction are most significant where extreme temperature change exists.

Best practice is when ambient temperature exceeds 32° F, fit deck boards tight end to end. When ambient temperature is 32° F or below, allow approximately 1/16" gap between ends.

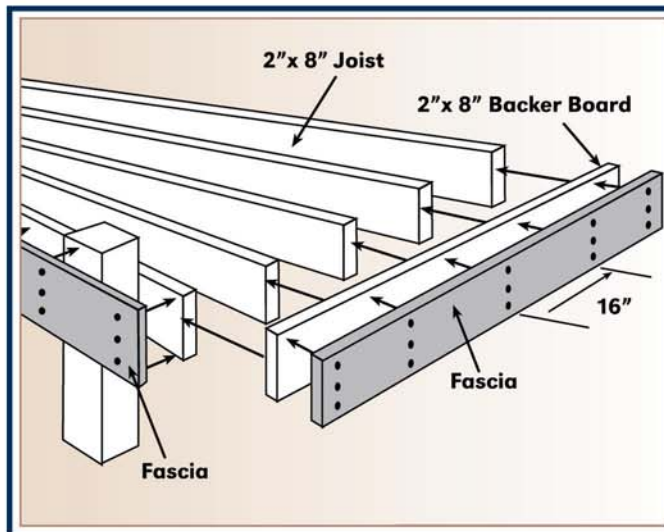
Ventilation

To prevent moisture buildup, an unobstructed air flow is required below the deck. Flat areas where standing water may gather should be addressed by grading or improved drainage. For decks with limited ventilation, add flow-through vents at various locations around rim joist.

Fascia

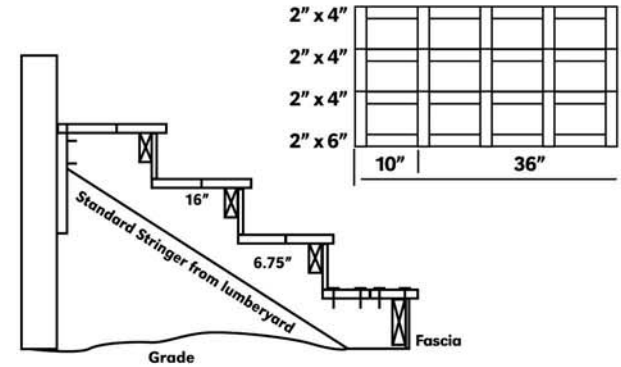
Endeck® can also function as a fascia board. The fascia board should be fully supported by a sub-fascia made of lumber and fastened with 3 fasteners every 16" on-center.

The same method may also be used for facing risers in the construction of stairs.



Stair Treads

Stair stringers should be spaced equally and should not exceed 10" center to center.



Cut Ends & Finishing

Cut ends exposed to direct sunlight must be painted. Due to the material composition, the cut or open end of your Endeck board will be slightly lighter in color. We recommend painting the ends of the deck board with an exact color matching, high quality paint similar to BEHR® exterior satin enamel.

BEHR ULTRA Color Match

WOODLAND SERIES

Ashwood 634617391627
Beechwood 634617391628
Olivewood 634617392259

FOREST SERIES

Cedar 634617392260
Chestnut 634617392293
Sequoia 634617391625
Slate 634617391621